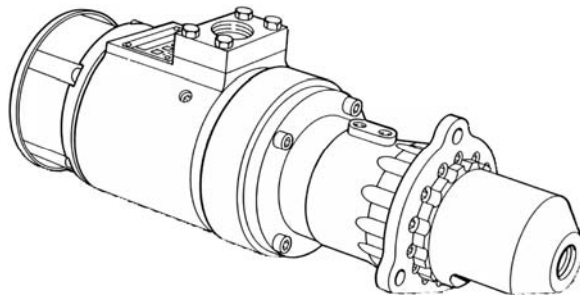


Exhaust Configurations



MODEL: T50 Series **TURBO***TWIN* Engine Air Starter

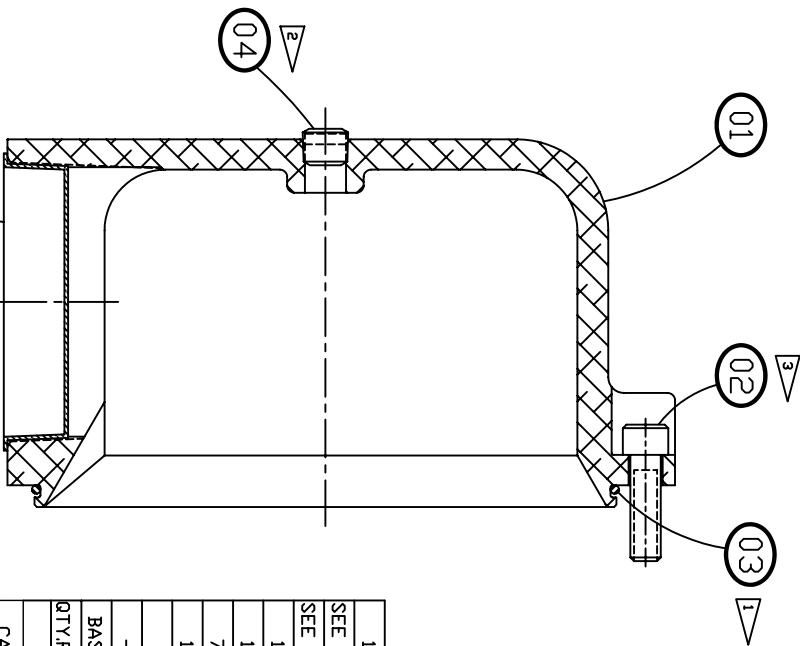
AIR ONLY

RJ Mann & Associates Inc.
Engine Controls & Panels/Compressor Parts

860 North 9th Avenue, Brighton, CO 80603
Ph: (303) 659-5139 Fax: (303) 659-5309
www.rjmann.com

APPLICATION		REVISION		00262		1	APPROVAL				
PART NUMBER	USED ON	NEXT ASSEMBLY	QTY	ZONE	REV	RELEASED PER EN 9471	DESCRIPTIONS	DRAWN	CHECKED	APPROVED	ARCHIVED
T50-29200	T50	VARIIOUS	1	-	-	-	-	-	-	-	S/R/STSTE 12NDV04

- NOTES:
1. LUBRICATE 9-90001-047 O-RING WITH 9-94137 PRIOR TO ASSEMBLY.
 2. APPLY PIPE THREAD SEALANT 9-94085 TO THE PLUG 9-93502-002 PRIOR TO INSTALLATION.
 3. PACK SCREWS 14F-25020-014 IN PLASTIC BAG.



QTY/REQD	BASIC CAGE NUMBER	PART NUMBER OR IDENTIFYING NUMBER	NOMENCLATURE OR DESCRIPTION	MATERIAL/SPECIFICATION	DRAWING SIZE AND NUMBER	ITEM NO.
1	-	T50-29200	T30 EXHAUST ELBOW KIT		B-29200	-
SEE B/M	9-93502-002	9-94085	CAPPLUG		B-93502	07
SEE B/M	9-94137	9-94137	SEALANT, PIPE THREAD LUBRICANT, O-RING		A-94085	06
1	9-93501-002	9-93501	PLUG		A-94137	05
1	9-90001-047	9-90001	O-RING		A-93501	04
7	14F-25020-014	14F-25020-014	SCREW		A-90001	03
1	2-29128	2-29128	HOUSING, ELBOW (2" NPT)		A-92501	02
-	-	-	-		C-29128	01

CAUTION		MATERIAL		THIRD ANGLE PROJECTION	
READ ALL NOTES BEFORE STARTING WORK REMOVE ALL DIMENSIONS UNLESS NOTED		SEE PARTS LIST		COMPUTER GRAPHICS RESTRICTED CHANGE	
DECIMALS	± .05	HEAT TREAT	N/A	DOCUMENT CONTROL NUMBER	129200DD.DWG
FRACTIONS	± N/A	ALL SURFACE FINISHES UNLESS OTHERWISE NOTED	N/A	DATE	12NDV04
BREAK CORNERS	± N/A	DO NOT SCALE		DRAWN	R/STSTE
DO NOT SCALE				CHECKED	S/D/DECKARD
				ENGR	S/D/DECKARD
THIS DRAWING CONTAINS PROPRIETARY SUBJECT MATTER. IT IS NOT TO BE USED OR REPRODUCED, EITHER IN WHOLE OR IN PART, IN ANY MANNER WHATSOEVER, WITHOUT THE EXPRESS PERMISSION IN WRITING FROM TECH DEVELOPMENT.					
ISSUE APVD S/D/BALSTER			12NDV04	SCALE	1/1

4 3 2 1

07 04 02 03 01

3 2 1

12NDV04

57301

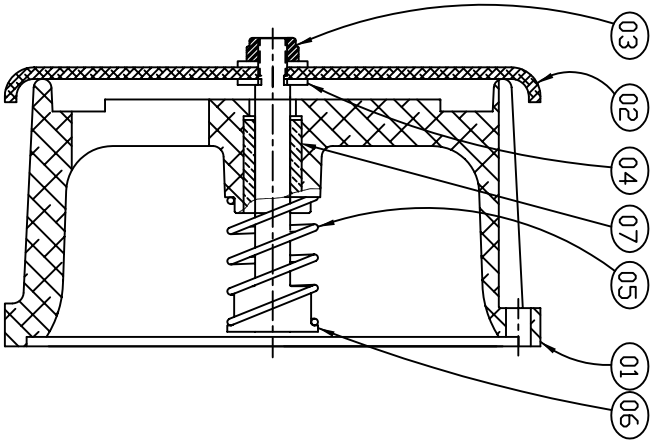
29200

1

APPLICATION				REVISION				APPROVAL			
PART NUMBER	USED ON	NEXT ASSEMBLY	QTY	ZONE	REV	DESCRIPTIONS	DRAWN	CHECKED	APPROVED	ACQUIRED	
2-28370	MODEL T50	-	1	-	-	RELEASED PER EN #7182	-	-	-	2FEB99	
					A	REVISED PER EN 7313	S. BALSTER	S. BALSTER	S. BALSTER	18MAY99	
					B	REVISED PER EN 7358	S. BALSTER	S. BALSTER	S. BALSTER	02JUN99	

NOTES:

- 1. TORQUE ITEM #03 CHECK NUT TO 12 FT.-LBS.



QTY	RECD	BASIC CAGE NUMBER	PART NUMBER OR IDENTIFYING NUMBER	EXHAUST COVER ASSEMBLY	DESCRIPTION	MATERIAL/SPECIFICATION	DRAWING SIZE AND NUMBER	ITEM NO.
1		9-91436	POST		BUSHING		A-91436	07
1		2-27223	SPRING, COMPRESSION		POST		B-27223	06
1		9-90408-016	WASHER, FLAT		SPRING, COMPRESSION		A-90408	05
2		9-93018-011	NUT, HEX		WASHER, FLAT		A-93018	04
1		9-92108-003	PLATE, BAFFLE		NUT, HEX		A-92108	03
1		2-20192	HOUSING, EXHAUST COVER		PLATE, BAFFLE		B-20192	02
1		2-28369	EXHAUST COVER ASSEMBLY		HOUSING, EXHAUST COVER		C-28369	01
-		2-28370	EXHAUST COVER ASSEMBLY		EXHAUST COVER ASSEMBLY		C-28370	-

CAUTION	TOLERANCES UNLESS OTHERWISE SPECIFIED	MINIMUM PARTS LIST	APPROVALS	DATE	DWG TITLE	SIZE	CAGE CODE	DWG NO.
READ ALL NOTES STANDARD WORK REVOLVE ALL DIMENSIONS BREAK DIMENSIONS UNLESS NOTED DO NOT SCALE	FRACTIONS ± .0002 ± .0005 ± .001 ± .002 ± .005 ± .01 ± .02 ± .05 ± .1 ± .2 ± .5 ± 1 ± 2 ± 5 ± 10 ± 20 ± 50 ± 100	SEE PARTS LIST NONE	APPROVALS	DATE	EXHAUST COVER ASSEMBLY	C	57301	28370

THIS DRAWING CONTAINS PROPRIETARY SUBJECT MATTER. IT IS NOT TO BE USED OR REPRODUCED, EITHER WHOLLY OR IN PART, WITHOUT THE EXPRESS PERMISSION IN WRITING FROM TECH DEVELOPMENT, INC.

TECH DEVELOPMENT, INC.
6800 Fog Avenue, Dayton, OH 45314
a subsidiary of Stone Company

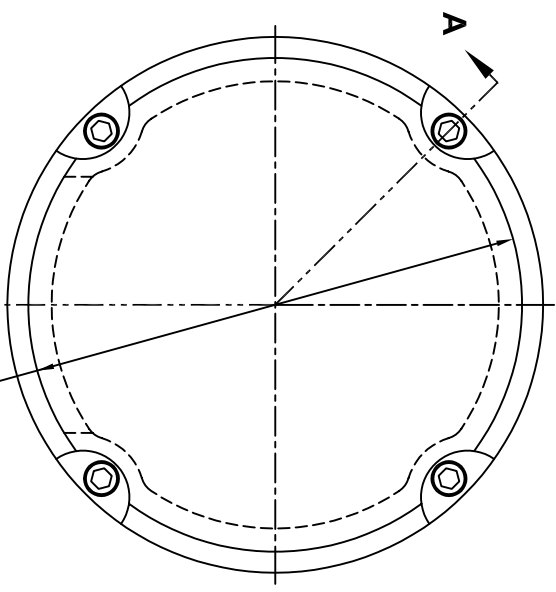
SCALE 1/1 WT. 1 SHEET 1 OF 1

APPLICATION				REVISION				APPROVAL			
PART NUMBER	USED IN	NEXT ASSEMBLY	QTY	ZONE	REV	DESCRIPTIONS	DRAWN	CHECKED	APPROVED	ARCHIVED	
T50-29207	T50 SERIES	VARIOUS	-	-	-	RELEASED PER EN 9540	-	-	-	16FEB05	

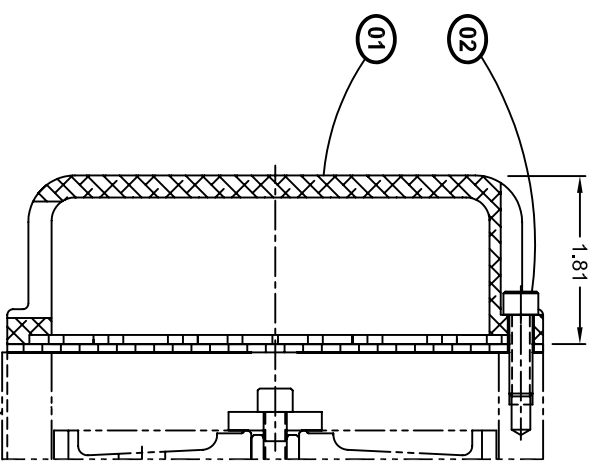
70262

1

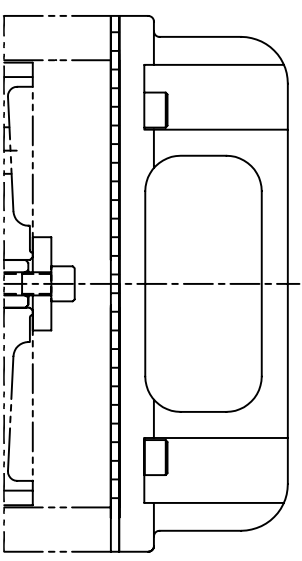
NOTES:
 1. 14F-25020-014 SCREW:
 TORQUE TO 150 IN-LBS



CENTERLINE OF EXHAUST OPENING
 MAY BE LOCATED AT (Ø) DIFFERENT
 45° INCREMENTAL LOCATIONS



T50 SERIES TURBINE ASSEMBLY EXHAUST
 SHOWN IN PHANTOM



QTY/REQD	BASIC NUMBER	CAGE NUMBER	PART NUMBER OR IDENTIFYING NUMBER	NOMENCLATURE OR DESCRIPTION	MATERIAL/SPECIFICATION	DRAWING SIZE AND NUMBER	ITEM NO.
4			14F-25020-014	SCREW		A-92501	02
1			2-27591	HOUSING, EXHAUST DEFLECTOR		C-27591	01
-			T50-29207	T100 SERIES EXHAUST DEFLECTOR KIT		C-29207	-

CAUTION		TOLERANCES UNLESS OTHERWISE SPECIFIED		NATURAL		COMPUTER GENERATED		HARD COPY	
READ ALL NOTES	DECIMALS	X	± .05	XX	± .01	XXX	± .005	XXXX	± .002
STRAIGHT SLOPE	FRACTIONS	1/16	± .005	1/32	± .002	1/64	± .001	1/128	± .0005
REWORK ALL DIMENSIONS	FINISHES	AS SHOWN		AS SHOWN		AS SHOWN		AS SHOWN	
DO NOT SCALE	THREADS	AS SHOWN		AS SHOWN		AS SHOWN		AS SHOWN	
	ALL SURFACE FINISHES UNLESS OTHERWISE NOTED	AS SHOWN		AS SHOWN		AS SHOWN		AS SHOWN	

THIS DRAWING CONTAINS PROPRIETARY SUBJECT MATTER. IT IS NOT TO BE USED OR REPRODUCED IN ANY MANNER WITHOUT THE EXPRESS PERMISSION IN WRITING FROM TECH DEVELOPMENT.

TECH DEVELOPMENT
 6800 Poe Avenue, Dayton, OH 45414

APPROVALS:
 DRAWN: R.F. STEWART
 CHECKED: S.J. DECKARD
 DATE: 02FEB05

SIZE: C
SCALE: 1/1
DWG NO.: 29207

